



输出功率：约0.1~5.0W  
塑胶齿轮减速电机

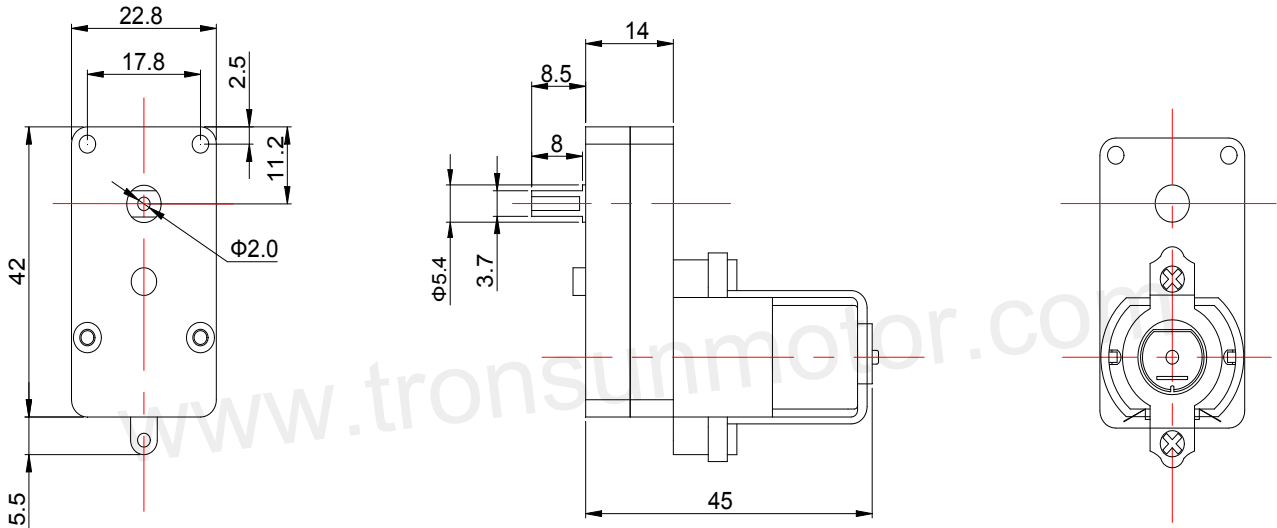
OUTPUT:APPROX 0.3~5.0W  
Plastic Gear Motor

典型应用：智能玩具车  
DIY玩具  
电动玩具

Typical Applications: Smart Toy Car  
DIY Toys  
Electric Toys

## 1.OUTLINE DRAWING:

UNIT:MM



Customizable Parameters:

1. Electric Performance
2. Reduction Ratio
3. Direction of Rotation

WEIGHT: 30g(Approx)

View:



## 2.GEARBOX REDUCTION RATIO:

Gearbox Length (mm)	Stage Number	Reduction Ratio						Rated Torque	Bearable Maximum Instant Torque
		kg.cm							
42*22.8*14		48/1	120/1	180/1	220/1	256/1	288/1	1.0	3.0

## 3.MOTOR PERFORMANCE :

1N.m $\approx$ 10.2kg.cm $\approx$ 14.2oz.in

MODEL	REDUCTION RATIO	VOLTAGE		NO LOAD		AT MAXIMUM EFFICIENCY				STALL	
		OPERATING RANGE	NOMINAL	SPEED	CURRENT	SPEED	CURRENT	TORQUE	OUTPUT	TORQUE	CURRENT
			V	rpm	A	rpm	A	kg.cm	W	kg.cm	A
T130-03-06500	48/1	3.0~7.0	6.0	500	0.21	416	1.04	0.4	1.71	2.4	5.2
T130-03-06200	120/1	3.0~7.0	6.0	200	0.21	415	1.06	1.0	4.26	5.9	5.2
T130-03-09175	48/1	3.0~10.0	9.0	175	0.09	133	0.17	0.3	0.41	1.3	0.55
T130-03-0938	220/1	3.0~10.0	9.0	38	0.09	31	0.14	1.0	0.32	5.8	0.55
T130-03-1260	220/1	3.0~13.0	12.0	60	0.05	48	0.2	1.5	0.74	5.8	0.85